

Avide LED Ceiling Lamp Recessed Panel Square ALU 24W WW 3000K

| | |
|-------------------------|---|
| Product code: | ACRPWW-S-24W-ALU |
| Brand link: | avidelighting.com/qr/ACRPWW-S-24W-ALU |
| ID: | AB-190518 |
| Company name: | Bramcke Hungary Kft. |
| Company address: | Kisatár utca 17., 4031 Debrecen |

QR code:



Date of issue: 2024-04-23

Page: 1/3

SPECIFICATIONS

| | |
|----------------------|----------------|
| EAN code: | 5999097913100 |
| Warranty: | 3year(s) |
| Material: | Aluminium |
| Working temperature: | -20 - +40°C |
| Packaging: | 1/b 20/c 240/p |
| Certifications: | CE |

TECHNICAL DETAILS

| | |
|--------------------|----------|
| Wattage: | 24W |
| Voltage: | 220-240V |
| Beam angle: | 120° |
| Dimmability: | No |
| Lumen output: | 1 990lm |
| Color temperature: | 3 000K |
| Lifetime: | 25 000h |
| Energy class: | |
| Type of LED: | SMD |
| IP standard: | IP20 |

BOX PICTURE



Avide LED Ceiling Lamp Recessed Panel Square ALU 24W WW 3000K

Product code: ACRPWW-S-24W-ALU
Brand link: avidelighting.com/qr/ACRPWW-S-24W-ALU
ID: AB-190518
Company name: Bramcke Hungary Kft.
Company address: Kishatár utca 17., 4031 Debrecen



Date of issue: 2024-04-23

Page: 2/3

PRODUCT SIZE

Width: 291mm
 Height: 291mm
 Cut out size: 280mm

CARDBOARD BOX

EAN: 5999097913100
 Packaging: 1/b 20/c 240/p
 Dimensions: 300mm x 39mm x 320mm
 Net weight: 675g
 Gross weight: 795g

CARTON

EAN: 5999097913117
 Packaging: 1/b 20/c 240/p
 Dimensions: 630mm x 420mm x 345mm
 Net weight: 13.5kg
 Gross weight: 15.9kg

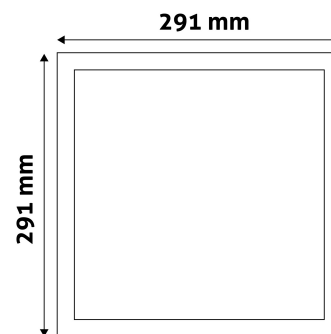
PALLET EXAMPLE

Height:
 Width: 120cm (std Euro pallet)
 Mepth: 80cm (std Euro pallet)
 Cartons per pallet: 12carton/pallet
 Cartons per row:
 Net weight: 162kg
 Gross weight: 190.8kg

PRODUCT PICTURE



PRODUCT OUTLINE



Avide LED Ceiling Lamp Recessed Panel Square ALU 24W WW 300K

Product code: ACRPWW-S-24W-ALU
Brand link: avidelighting.com/qr/ACRPWW-S-24W-ALU
ID: AB-190518
Company name: Bramcke Hungary Kft.
Company address: Kishatár utca 17., 4031 Debrecen

QR code:



Date of issue: 2024-04-23

Page: 3/3

PRODUCT DESCRIPTION