

## Avide GU10 Frame Round Swivel Chrome

**Product code:** ABGU10F-NS-CH  
**Brand link:** [avidelighting.com/qr/ABGU10F-NS-CH](http://avidelighting.com/qr/ABGU10F-NS-CH)  
**ID:** AB-190518  
**Company name:** Bramcke Hungary Kft.  
**Company address:** Kishatár utca 17., 4031 Debrecen



**Date of issue:** 2024-05-05

**Page:** 1/3

### SPECIFICATIONS

**EAN code:** 5999097911441  
**Warranty:** 2year(s)  
**Socket:** GU10  
**Color:** Chrome  
**Material:** Metal  
**Working temperature:**  
**Packaging:** 1/b 100/c 3200/p  
**Certifications:** CE

### BOX PICTURE



### TECHNICAL DETAILS

**Wattage:**  
**Voltage range:** 220-240V  
**Inner diameter:** 55mm  
**Cut out size:** 70mm  
**Swivel:** Yes  
**IP standard:** IP20

**Avide GU10 Frame Round Swivel Chrome**

**Product code:** ABGU10F-NS-CH  
**Brand link:** [avidelighting.com/qr/ABGU10F-NS-CH](https://avidelighting.com/qr/ABGU10F-NS-CH)  
**ID:** AB-190518  
**Company name:** Bramcke Hungary Kft.  
**Company address:** Kishatár utca 17., 4031 Debrecen



**Date of issue:** 2024-05-05  
**Page:** 2/3

**PRODUCT SIZE**

Diameter:  
 Height: 27mm

**CARDBOARD BOX**

EAN: 5999097911441  
 Packaging:  
 Dimensions: 92mm x 36mm x 132mm  
 Net weight: 60.8g  
 Gross weight: 77.3g

**CARTON**

EAN: 5999097911458  
 Packaging: 1/b 100/c 3200/p  
 Dimensions: 485mm x 220mm x 390mm  
 Net weight: 6.08kg  
 Gross weight: 7.73kg

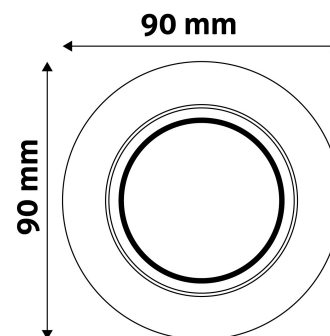
**PALLET EXAMPLE**

Height:  
 Width: 120cm (std Euro pallet)  
 Mepth: 80cm (std Euro pallet)  
 Cartons per pallet: 32carton/pallet  
 Cartons per row:  
 Net weight: 194.56kg  
 Gross weight: 247.36kg

**PRODUCT PICTURE**



**PRODUCT OUTLINE**



## Avide GU10 Frame Round Swivel Chrome

**Product code:** ABGU10F-NS-CH  
**Brand link:** [avidelighting.com/qr/ABGU10F-NS-CH](https://avidelighting.com/qr/ABGU10F-NS-CH)  
**ID:** AB-190518  
**Company name:** Bramcke Hungary Kft.  
**Company address:** Kishatár utca 17., 4031 Debrecen

QR code:



**Date of issue:** 2024-05-05

**Page:** 3/3

### PRODUCT DESCRIPTION