

## Avide GU10 Frame Square Swivel Copper

**Product code:** ABGU10F-SS-CO  
**Brand link:** [avidelighting.com/qr/ABGU10F-SS-CO](http://avidelighting.com/qr/ABGU10F-SS-CO)  
**ID:** AB-190518  
**Company name:** Bramcke Hungary Kft.  
**Company address:** Kishatár utca 17., 4031 Debrecen



Date of issue: 2024-04-23

Page: 1/3

### SPECIFICATIONS

**EAN code:** 5999097911786  
**Warranty:** 2year(s)  
**Socket:** GU10  
**Color:** Copper  
**Material:** Metal  
**Working temperature:**  
**Packaging:** 1/b 100/c 3000/p  
**Certifications:** CE

### TECHNICAL DETAILS

**Wattage:**  
**Voltage range:** 220-240V  
**Inner diameter:** 55mm  
**Cut out size:** 65mm  
**Swivel:** Yes  
**IP standard:** IP20

### BOX PICTURE



## Avide GU10 Frame Square Swivel Copper

**Product code:** ABGU10F-SS-CO  
**Brand link:** [avidelighting.com/qr/ABGU10F-SS-CO](https://avidelighting.com/qr/ABGU10F-SS-CO)  
**ID:** AB-190518  
**Company name:** Bramcke Hungary Kft.  
**Company address:** Kishatár utca 17., 4031 Debrecen

QR code:



Date of issue: 2024-04-23

Page: 2/3

### PRODUCT SIZE

Width: 81mm  
Height: 26mm

### CARDBOARD BOX

EAN: 5999097911786  
Packaging: 1/b 100/c 3000/p  
Dimensions: 85mm x 105mm x 37mm  
Net weight: 103.5g  
Gross weight: 120g

### CARTON

EAN: 5999097911694  
Packaging: 1/b 100/c 3000/p  
Dimensions: 545mm x 220mm x 360mm  
Net weight: 10.35kg  
Gross weight: 12kg

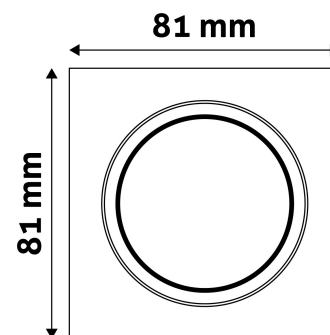
### PALLET EXAMPLE

Height:  
Width: 120cm (std Euro pallet)  
Mepth: 80cm (std Euro pallet)  
Cartons per pallet: 30carton/pallet  
Cartons per row:  
Net weight: 310.5kg  
Gross weight: 360kg

### PRODUCT PICTURE



### PRODUCT OUTLINE



## Avide GU10 Frame Square Swivel Copper

**Product code:** ABGU10F-SS-CO  
**Brand link:** [avidelighting.com/qr/ABGU10F-SS-CO](https://avidelighting.com/qr/ABGU10F-SS-CO)  
**ID:** AB-190518  
**Company name:** Bramcke Hungary Kft.  
**Company address:** Kishatár utca 17., 4031 Debrecen

QR code:



**Date of issue:** 2024-04-23

**Page:** 3/3

### PRODUCT DESCRIPTION