

Avide Bulkhead Lamp Merkur-C IP54 Round 12W NW 4000K Gray

| | |
|-------------------------|---|
| Product code: | ABHL54-RG-12W-NW |
| Brand link: | avidelighting.com/qr/ABHL54-RG-12W-NW |
| ID: | AB-190518 |
| Company name: | Bramcke Hungary Kft. |
| Company address: | Kisatár utca 17., 4031 Debrecen |

QR code:



Date of issue: 2024-04-23

Page: 1/3

SPECIFICATIONS

| | |
|----------------------|----------------|
| EAN code: | 5999097911304 |
| Warranty: | 3year(s) |
| Color: | Grey |
| Material: | Alu+Plastic |
| Working temperature: | -20 -+40°C |
| Packaging: | 1/b 10/c 360/p |
| Certifications: | CE |

BOX PICTURE



TECHNICAL DETAILS

| | |
|--------------------|----------|
| Wattage: | 12W |
| Voltage: | 100-240V |
| Beam angle: | 120° |
| Dimmability: | No |
| Lumen output: | 850lm |
| Color temperature: | 4 000K |
| Lifetime: | 30 000h |
| Energy class: | |
| Type of LED: | SMD2835 |
| CRI: | 80 |
| IP standard: | IP54 |

Avide Bulkhead Lamp Merkur-C IP54 Round 12W NW 4000K Gray

Product code: ABHL54-RG-12W-NW
Brand link: avidelighting.com/qr/ABHL54-RG-12W-NW
ID: AB-190518
Company name: Bramcke Hungary Kft.
Company address: Kishatár utca 17., 4031 Debrecen

QR code:



Date of issue: 2024-04-23

Page: 2/3

PRODUCT SIZE

Width: 222mm
Height: 222mm
Depth: 49mm

CARDBOARD BOX

EAN: 5999097911304
Packaging: 1/b 10/c 360/p
Dimensions: 230mm x 60mm x 230mm
Net weight: 401g
Gross weight: 506g

CARTON

EAN: 5999097911250
Packaging: 1/b 10/c 360/p
Dimensions: 475mm x 320mm x 250mm
Net weight: 4.01kg
Gross weight: 5.06kg

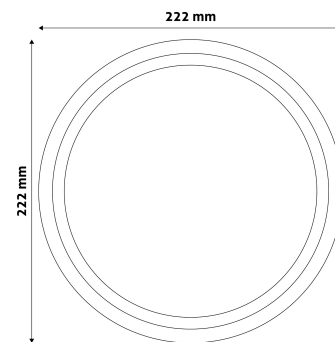
PALLET EXAMPLE

Height:
Width: 120cm (std Euro pallet)
Mepth: 80cm (std Euro pallet)
Cartons per pallet: 36carton/pallet
Cartons per row: 4pcs
Net weight: 144.36kg
Gross weight: 182.16kg

PRODUCT PICTURE



PRODUCT OUTLINE



Avide Bulkhead Lamp Merkur-C IP54 Round 12W NW 4000K Gray

Product code: ABHL54-RG-12W-NW
Brand link: avidelighting.com/qr/ABHL54-RG-12W-NW
ID: AB-190518
Company name: Bramcke Hungary Kft.
Company address: Kishatár utca 17., 4031 Debrecen

QR code:



Date of issue: 2024-04-23

Page: 3/3

PRODUCT DESCRIPTION